

MaixIM IM508

- 1. 7.0" LCD Capacitive Touchscreen
- 2. Ambient Light Sensor – detects ambient brightness.
- 3. Power LED – indicates battery level & charging or system status.
- 4. Vehicle Communication LED – flashes green when the Display Tablet is communicating/linking with the vehicle's system.
- 5. Collapsible Stand – extends from the back to allow hands-free viewing of the Display Tablet.
- 6. Heat Sink
- 7. Built-in Battery
- 8. Mini USB OTG Port
- 9. Micro SD Card Slot – holds the micro SD card.
- 10. DB15-Pin Port – connects the main cable.

- 11. USB Port
- 12. Lock/Power Button – turns the device on & off with long press, or locks the screen with short press.

XP200

- 13. Vehicle Key Chip Slot – holds the vehicle key chip.
- 14. Vehicle Key Slot – holds the vehicle key.
- 15. Status LED Light – indicates the current operating status.
- 16. DB15-Pin Port – connects EEPROM Adapter and EEPROM Clamp Integrated MC9S12 Cable.
- 17. Mini USB Port – provides data communication and power supply.

Safety Information

For your own safety and the safety of others, and to prevent damage to the device and vehicles upon which it is used, it is important that the safety instructions presented throughout this manual be read and understood by all persons operating or coming into contact with the device.

There are various procedures, techniques, tools, and parts for servicing vehicles, as well as in the skill of the person doing the work. Because of the vast number of test applications and variations in the products that can be tested with this equipment, we cannot possibly anticipate or provide advice or safety messages to cover every circumstance. It is the automotive technician's responsibility to be knowledgeable of the system being tested. It is crucial to use proper service methods and test procedures. It is essential to perform tests in an appropriate and acceptable manner that does not endanger your safety, the safety of others in the work area, the device being used, or the vehicle being tested.

Before using the device, always refer to and follow the safety messages and applicable test procedures provided by the manufacturer of the vehicle or equipment being tested. Use the device only as described in this manual. Read, understand, and follow all safety messages and instructions in this manual.

Safety Messages

Safety messages are provided to help prevent personal injury and equipment damage. All safety messages are introduced by a signal word indicating the hazard level.

DANGER

Indicates an imminently hazardous situation which, if not avoided, will result in death or serious injury to the operator or to bystanders.

WARNING

Indicates a potentially hazardous situation which, if not avoided, could result in death or serious injury to the operator or to bystanders.

Safety Instructions

The safety messages herein cover situations Autel is aware of. Autel cannot know, evaluate or advise you as to all of the possible hazards. You must be certain that any condition or service procedure encountered does not jeopardize your personal safety.

DANGER

When an engine is operating, keep the service area WELL VENTILATED or attach a building exhaust removal system to the engine exhaust system. Engines produce carbon monoxide, an odorless, poisonous gas that causes slower reaction time and can lead to serious personal injury or loss of life.

SAFETY WARNINGS

- Always perform automotive testing in a safe environment.
- Wear safety eye protection that meets ANSI standards.
- Keep clothing, hair, hands, tools, test equipment, etc. away from all moving or hot engine parts.
- Operate the vehicle in a well ventilated work area, for exhaust gases are poisonous.
- Put the transmission in PARK (for automatic transmission) or NEUTRAL (for manual transmission) and make sure the parking brake is engaged.
- Put blocks in front of the drive wheels and never leave the vehicle unattended while testing.
- Be extra cautious when working around the ignition coil, distributor cap, ignition wires and spark plugs. These components create hazardous voltages when the engine is running.
- Keep a fire extinguisher suitable for gasoline, chemical, and electrical fires nearby.
- Do not connect or disconnect any test equipment while the ignition is on or the engine is running.
- Keep the test equipment dry, clean, free from oil, water or grease. Use a mild detergent on a clean cloth to clean the outside of the equipment as necessary.
- Do not drive the vehicle and operate the test equipment at the same time. Any distraction may cause an accident.
- Refer to the service manual for the vehicle being serviced and adhere to all diagnostic procedures and precautions. Failure to do so may result in personal injury or damage to the test equipment.
- To avoid damaging the test equipment or generating false data, make sure the vehicle battery is fully charged and the connection to the vehicle DLC is clean and secure.
- Do not place the test equipment on the distributor of the vehicle. Strong electro-magnetic interference can damage the equipment.

COMPLIANCE

This device complies with Part 15 of the FCC rules and Industry Canada's license-exempt RSSs. Operation is subject to the following two conditions:

1. This device may not cause harmful interference.
2. This device must accept any interference received, including interference that may cause undesired operation.

Cet appareil est conforme aux CNR exempts de licencié Industrie Canada. Son fonctionnement est soumis aux deux conditions suivantes:

1. Ce dispositif ne peut causer des interférences; et
2. Ce dispositif doit accepter toute interférence, y compris les interférences qui peuvent causer un mauvais fonctionnement de l'appareil.

WARNING

Changes or modifications not expressly approved by the party responsible for compliance could void the user's authority to operate the equipment.

NOTE

This equipment has been tested and found to comply with the limits for a Class B digital device, pursuant to Part 15 of the FCC Rules. These limits are designed to provide reasonable protection against harmful interference in a residential installation.

This equipment generates uses and can radiate radio frequency energy and, if not installed and used in accordance with the instructions, may cause harmful interference to radio communications. However, there is no guarantee that interference will not occur in a particular installation. If this equipment does cause harmful interference to radio or television reception, which can be determined by turning the equipment off and on, the user is encouraged to try to correct the interference by one or more of the following measures: I. Reorient or relocate the receiving antenna. II. Increase the separation between the equipment and receiver. III. Connect the equipment into an outlet on a circuit different from that to which the receiver is connected. IV. Consult the dealer or an experienced radio/TV technician for help.

SAR

The radiated output power of this device is below the FCC radio frequency exposure limits. Nevertheless, the device should be used in such a manner that the potential for human contact is minimized during normal operation.

The exposure standard for wireless devices employs a unit of measurement known as the Specific Absorption Rate, or SAR. The SAR limit set by the FCC is 1.6 W/Kg. Tests for SAR are conducted using standard operating positions accepted by the FCC with the device transmitting at its highest certified power level in all tested frequency bands.

Although the SAR is determined at the highest certified power level, the actual SAR level of the device while operating can be well below the maximum value. This is because the device is designed to operate at multiple power levels so as to use only the power required to reach the network. To avoid the possibility of exceeding the FCC radio frequency exposure limits, human proximity to antenna should be minimized.

RF WARNING STATEMENT

The device has been evaluated to meet general RF exposure requirement. The device can be used in portable exposure condition without restriction.

The term "IC" before the radio certification number only signifies that IC technical specifications were met.

RoHS COMPLIANCE

This device is declared to be in compliance with the

European RoHS Directive 2011/65/EU.

CE COMPLIANCE

This product is declared to conform to the essential requirements of the following Directives and carries the CE mark accordingly:

EMC Directive 2014/30/EU

R&TTE Directive 1999/5/EC

Low Voltage Directive 2014/35/EU

Getting Started

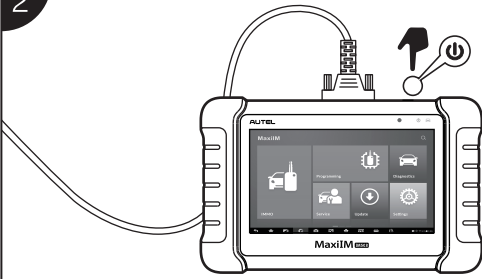
- ❗ **IMPORTANT:** Before operating or maintaining this unit, please read the quick guide and user manual carefully, pay extra attention to the safety warnings and precautions. Use this unit correctly and properly. Failure to do so may cause damage and/or personal injury and will void the product warranty.

1



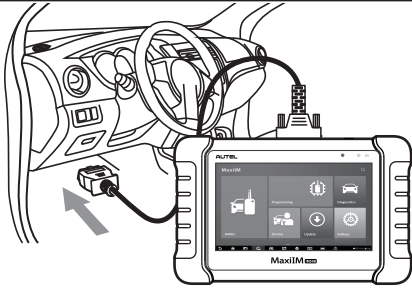
- Scan QR Code to visit our website at www.autel.com
- Create an Autel ID and register the product with the tablet's SN and password.

2



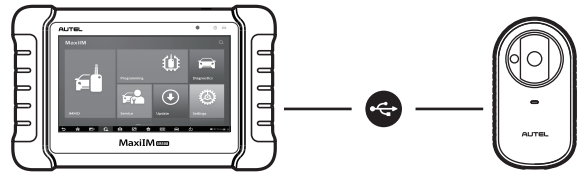
- Long press the Lock/Power button to turn on the key programming tool.
- Connect the main cable's female adapter to the key programming tool and tighten the captive screws.

3



- Connect the cable's 16-pin male adapter to the Vehicle's DLC, which is generally located under the vehicle dash.
- Tighten the captive screws and your key programming tool is now ready for use.

2



- Connect the key programming tool and the XP200 with the supplied USB cable.
- Select Immobilizer function on the main menu, and follow the onscreen instructions to continue.

4

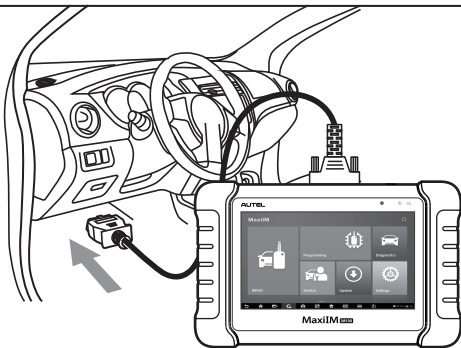


- Software Update: connect the key programming tool to the Internet and tap Update in the MaxiIM Job Menu to view all the available updates.

Immobilizer Function

This function requires connection between the vehicle, the MaxiIM IM508 key programming tool and the XP200.

1



- Connect the vehicle and the key programming tool with the supplied main cable.

Programming Function

This function requires connection between the MaxiIM IM508 key programming tool and the XP200.

Wireless Data Printing

Print via PC

- ❗ **IMPORTANT:** Make sure the key programming tool is connected to the same network with the computer via Wi-Fi, and the computer is connected to a printer.



Please download the **Autel PC Suite** (Autel printer included) from

www.autel.com > Diagnostic Software > My Account > PC Suite Program.

- Run the **Autel Printer** on the computer which is installed after the installation of **Autel PC Suite**.
- Click **Test Print** to make sure the printer is working successfully.
- Tap **Print** on the toolbar of the key programming tool. A temporary document will be created and sent to the computer.
 - If the **Auto Print** option in the Autel Printer is selected, the Autel Printer will print the received document automatically.
 - If the **Auto Print** option is not selected, click **Open PDF** File to view all the temporary files. Select the file(s) you want to print and click **Print**.

Print via APP

If a Wi-Fi printer is available, please purchase a Wi-Fi printer APP and install it onto your key programming tool. By a simple click on the **Print** button of a saved file on the key programming tool, the file will be printed automatically.