

②Function

For reading BOSCH ECU data, CS, Pincode etc., including Audi, Citroen, DS, Mahindra, Peugeot, Skoda, SEAT, Volkswagen etc.. More models are in development...

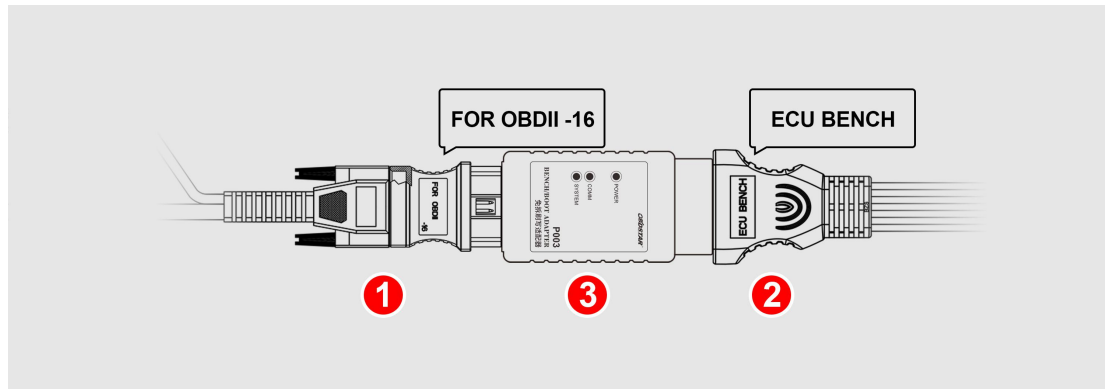
③Supported ECU List

Supports ECU including BOSCH EDC17U01(TC1766), MED17.5(TC1766), MED17.5.1(TC1766), MED17.5.20(TC1766), MED17.5.5(TC1766), MED17.5.5 HW2(TC1766), EDC17C46(TC1767), ME17.5.6(TC1767), ME17.5.20(TC1767), MED17.5.2(TC1767), MED17.5.5(TC1767), MED17.5.5 HW2(TC1767), MED17.5.21(TC1782), MED17.5.25(TC1782), EDC17C54(TC1797), EDC17C64(TC1797), EDC17CP44(TC1797), EDC17CP44 MS(TC1797), ME17.1.1(TC1797), ME17.1.6(TC1797), MED17.1.1(TC1797), MED17.1.1 MS(TC1797), MED17.1.6(TC1797), MED17.4.4(TC1793), MD1CS018(Euro 6/TC298TP), MG1CS042(Euro 6/TC298TP), MG1CS003(Euro 6/TC298TP) etc.

④CONNECTING METHODS

BENCH MODE

Step 1: Connect 1, 2, 3 together as pic below;



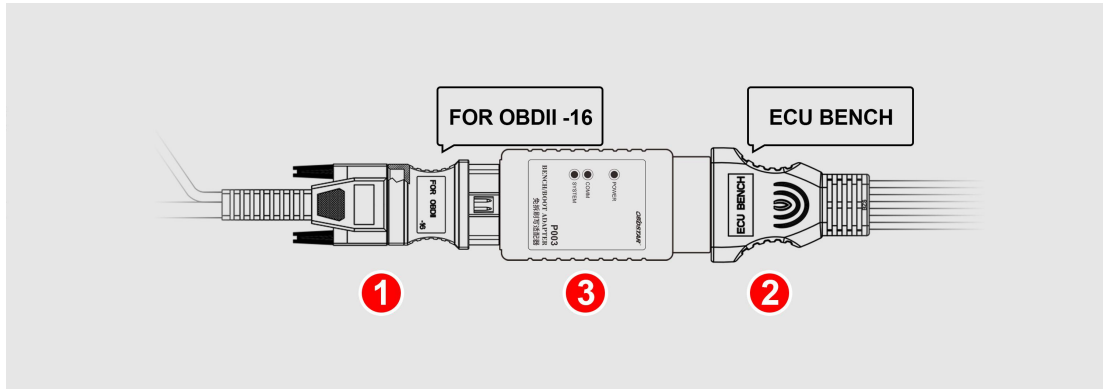
Step2: connect the ECU pin connector to the ECU according to the wiring diagram;

Step3: connect 12V power with diagnostic device;

Step4: read data on diagnostic device.

BOOT MODE

Step 1: Connect 1, 2, 3 together as pic below;



- Step2: connect the ECU pin connector to the ECU according to the wiring diagram;
Step3: connect 7 with 4 or 5 and connect it to ECU;
Step4: connect 12V power with diagnostic device;
Step5: read data on diagnostic device.